



21600 NORDHOFF ST.
CHATSWORTH, CALIFORNIA 91311 USA
PH: (818) 882-1238 FAX: (818) 882-7144
E-Mail: sor@sor.com
Internet: http://www.sor.com

#258-100 EXPEDITION ROOF RACK FITS 1963-1984 40 SERIES W/OUT HARDTOP

PARTS LIST

Qty 2 - Rack Ends (4'6" x 4") Exped. Style
Qty 2 - Sides (51-3/16" x 4")
Qty 8 - Floors (69")
Qty 4 - Top Crossbar Brackets

Rack and Flooring

Qty 16 - Black End Caps
Qty 16 - 1/4 x 1-1/2 Bolts
Qty 16 - 1/4 Lockwashers
Qty 16 - 1/4 H.D. Flatwashers (1-1/4" Dia.)
Qty 8 - 5/16 x 1 Bolts
Qty 8 - 5/16 Nylon Locknuts
Qty 16 - 5/16 Flatwashers (9/16" Dia.)

Roof Rack Top Mounting

Qty 4 - 3/8 x 2 Carriage Bolts
Qty 4 - 3/8 H.D. Flatwashers (1-3/8" Dia.)
Qty 4 - 3/8 Regular Nylon Locknuts
Qty 2 - Front Support Brackets (Right & Left)
Qty 2 - Rear Support Brackets (Right & Left)
Qty 2 - Rear Inside Support Brackets (RT<)
Qty 4 - Inside Support Plates

Front Support Brackets

Qty 4 - 8mm x 30mm/1.25P Bolts
Qty 4 - 5/16 Flatwashers
Qty 4 - 5/16 Lockwashers
Qty 2 - 1/4 x 3/4 Bolts
Qty 2 - 1/4 Nylon Locknuts
Qty 4 - 1/4 Flatwashers

Rear Support Brackets

Qty 12 - 5/16 x 1-1/2 Carriage Bolts
Qty 12 - 5/16 Nylon Locknuts
Qty 12 - 5/16 Flatwashers

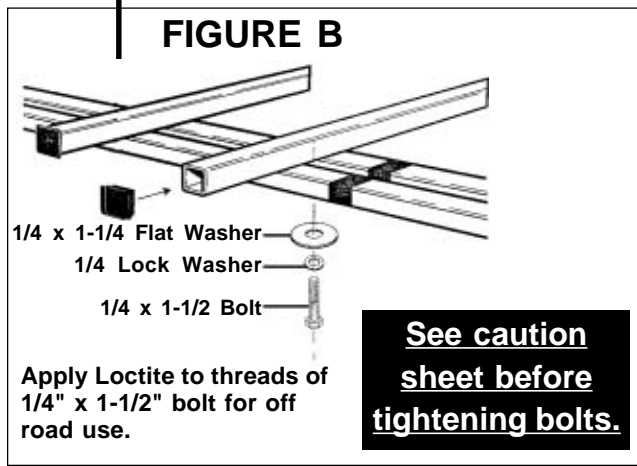
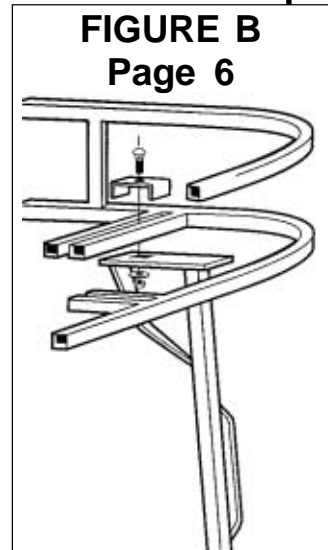
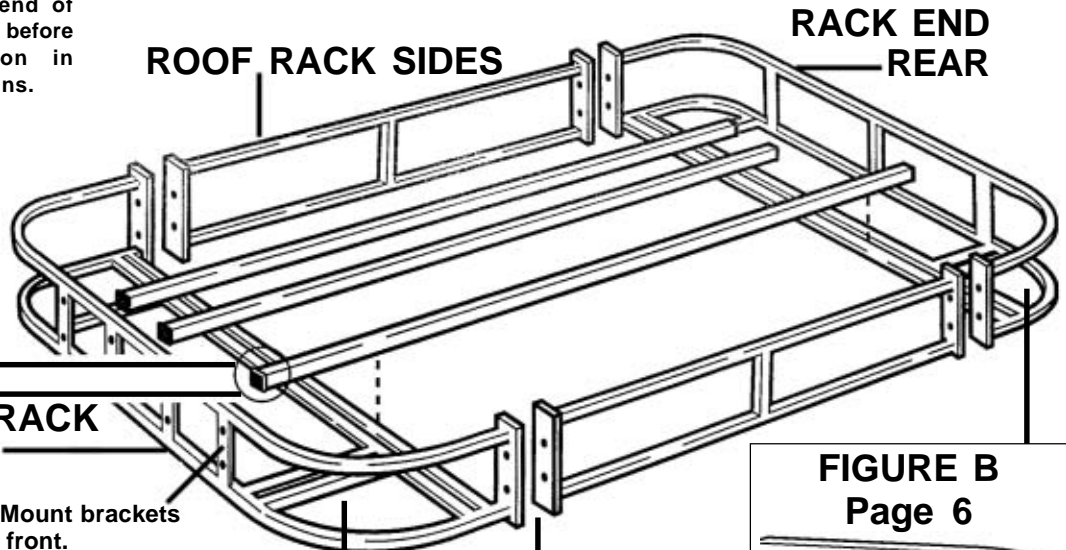
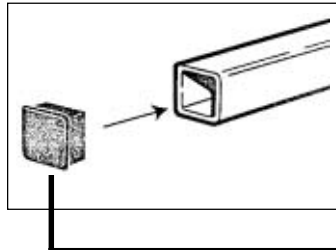
INSTALLATION INSTRUCTIONS

1. Assemble roof rack basket as shown on page 2. Assemble sides to rack ends so the square tubing is lined up (figure A). Align and tighten mounting hardware.
2. Install black plastic plugs into flooring (figure B). Install flooring to crossbars as shown on page 2, figure B. See Caution Sheet before tightening floor bolts.
3. Remove top outer bolts from windshield hinge and install top support bracket, as shown on page 3. The top mount connects to the existing hole in windshield flange. Slightly tighten to hold in place.
4. Mark and drill 3/8" dia. holes in rear body panels, as shown on page 4.
5. Install rear support brackets to rear body panels as shown on page 5. Slightly tighten to hold in place.
6. With some help, set the assembled roof rack on the front and rear brackets. Secure the front as shown on page 3 and the rear as shown on page 5, figure 2.
7. Align and center roof rack and tighten all mounting hardware.
8. After all mounting hardware is tight, drill 3/8" dia. holes through the square holes in the inside support brackets and secure as shown on page 5.
9. CAUTION! Loading and weight capacity: Use common sense when loading items on this roof rack. Store heavy objects inside vehicle and the lighter bulky items on the rack.

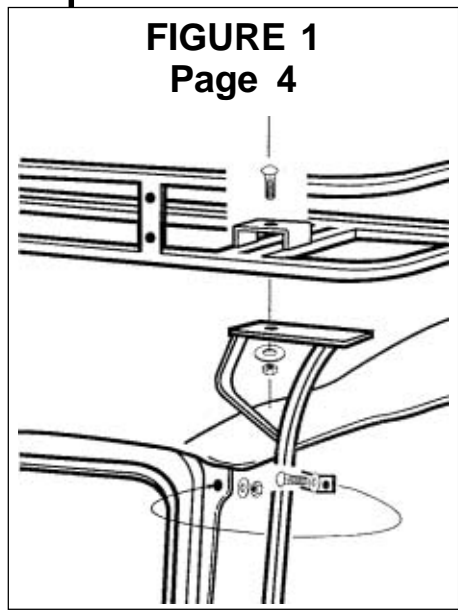
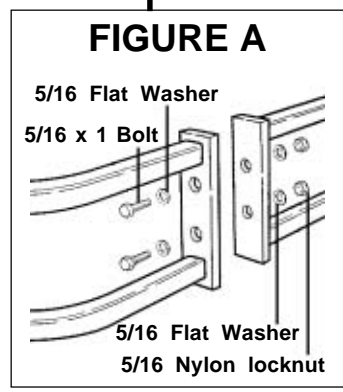
Manufactured exclusively for Specter Off-Road By Garvin Industries

GENERAL ASSEMBLY DRAWING

Install black plastic plugs into end of flooring. Use silicon around plug before installing for added protection in inclement (wet) weather conditions.



See caution sheet before tightening bolts.



IMPORTANT!

Do not use any electrical, air impact tool or nut driver to tighten the 1/4" bolts on rack flooring.

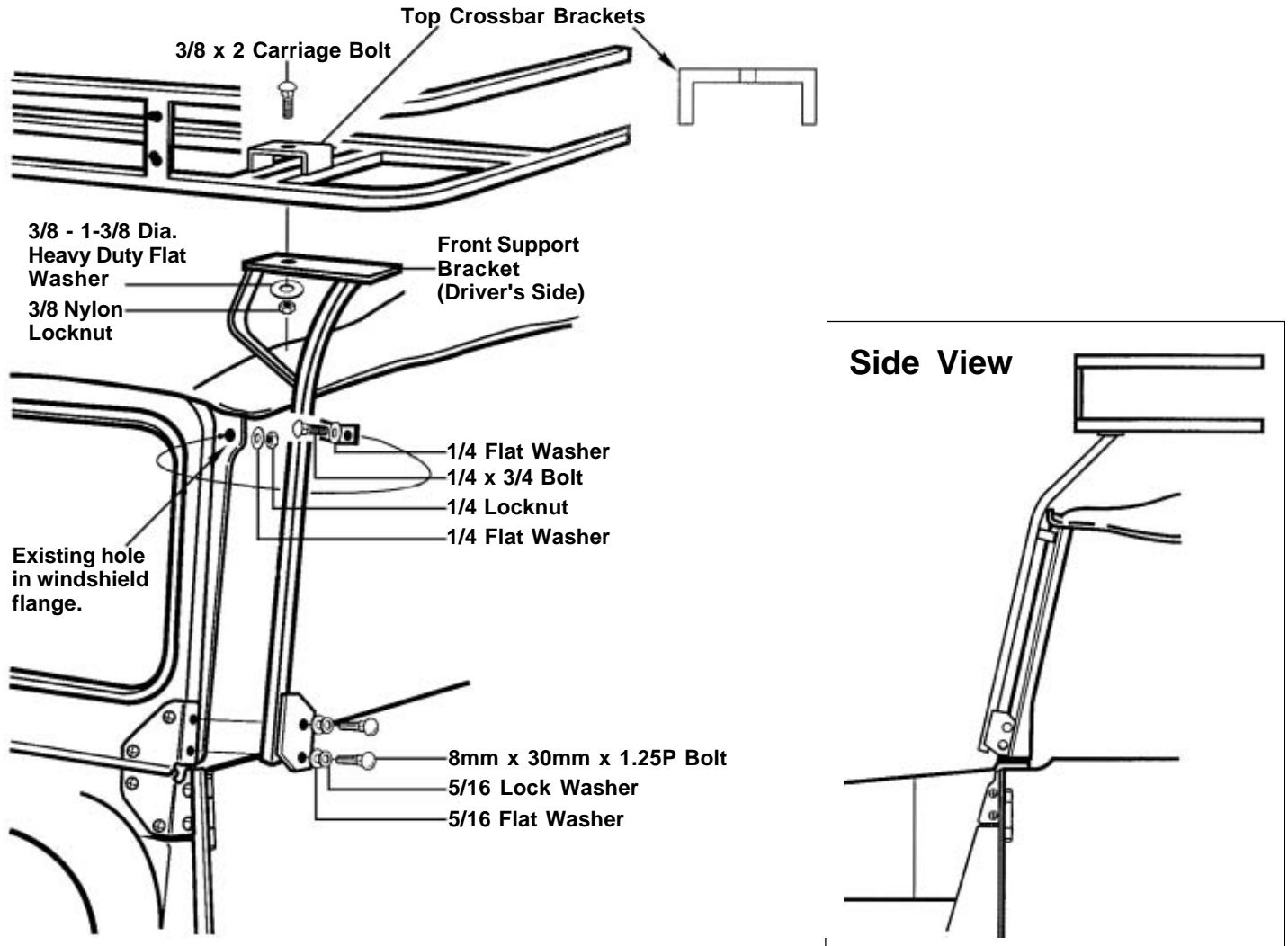
See caution sheet.

HAND TIGHTEN ONLY!

Use Loctite® on threads for off-road use.

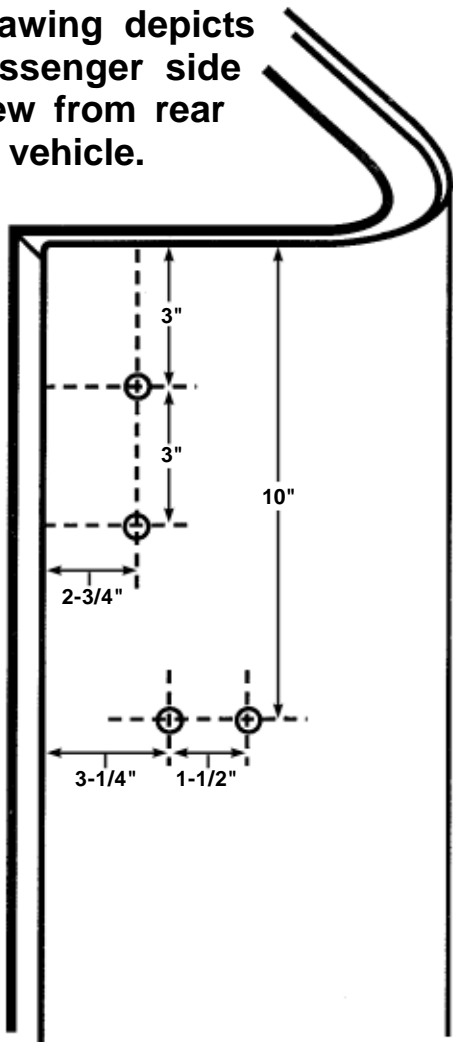
GENERAL ASSEMBLY DRAWING - FRONT MOUNTING

FIGURE 1

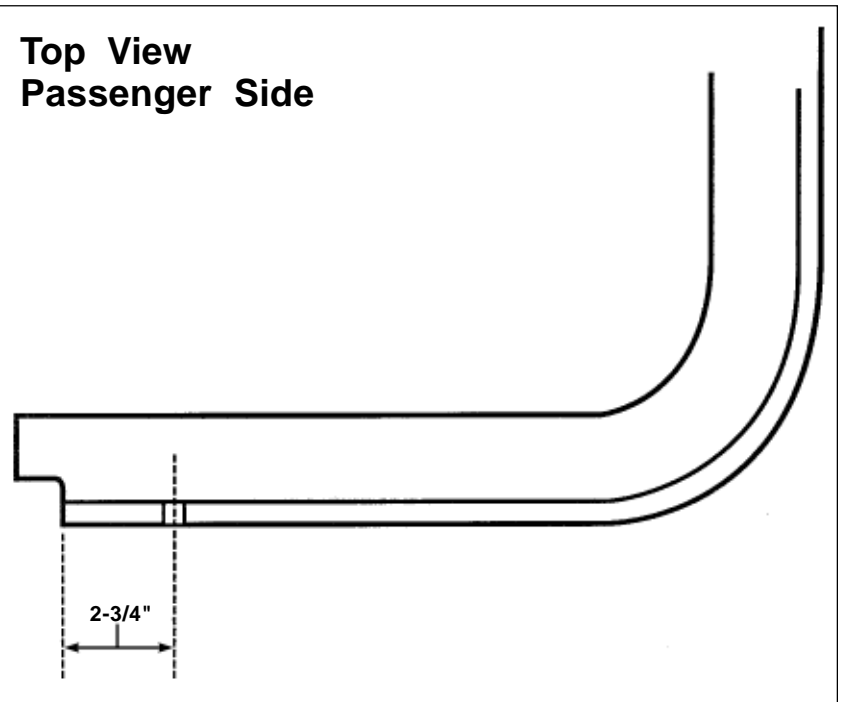


GENERAL ASSEMBLY DRAWING - PASSENGER SIDE VIEWS

Drawing depicts passenger side view from rear of vehicle.



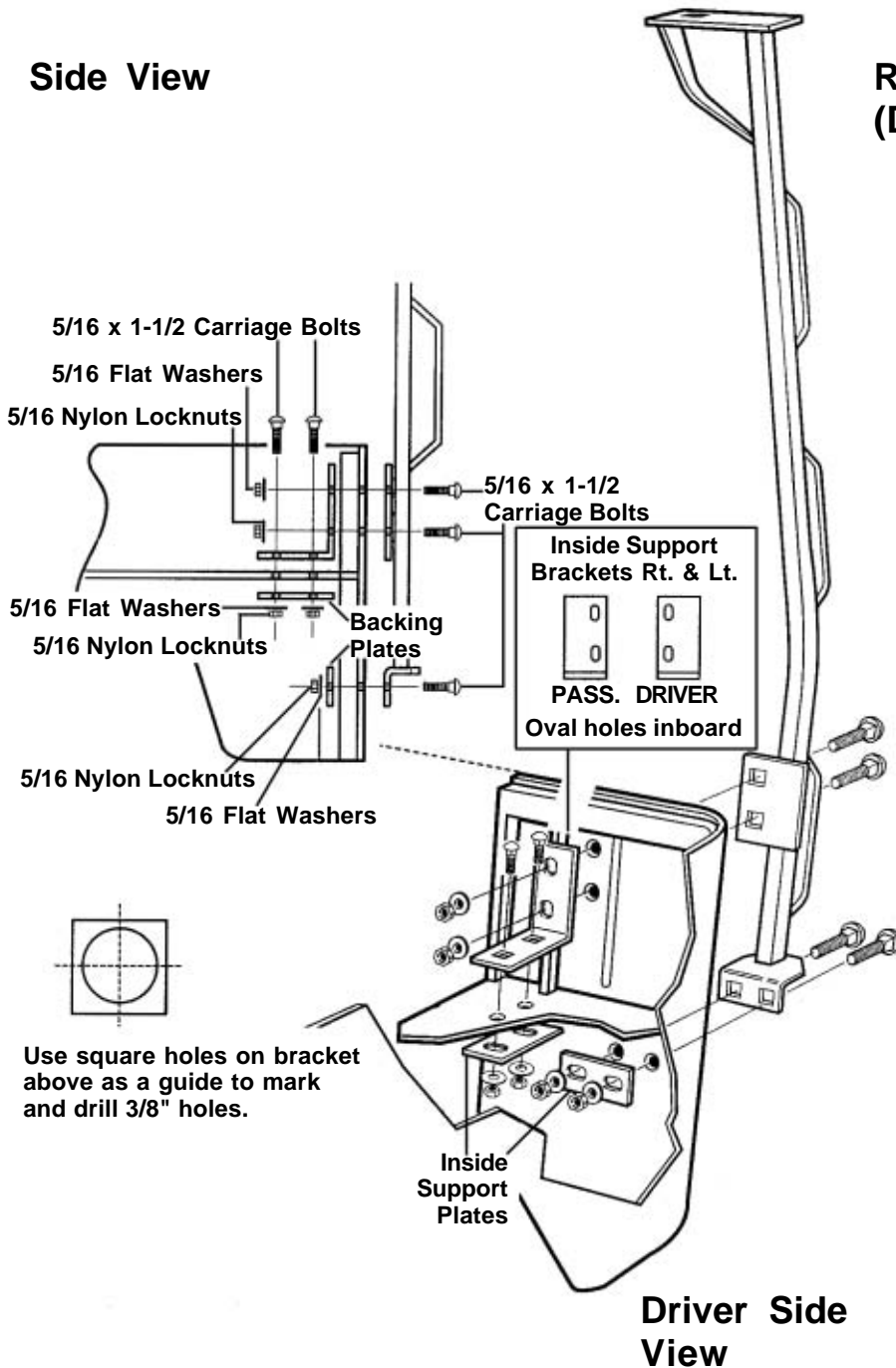
Top View
Passenger Side



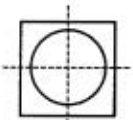
GENERAL ASSEMBLY DRAWING - REAR MOUNTING

Side View

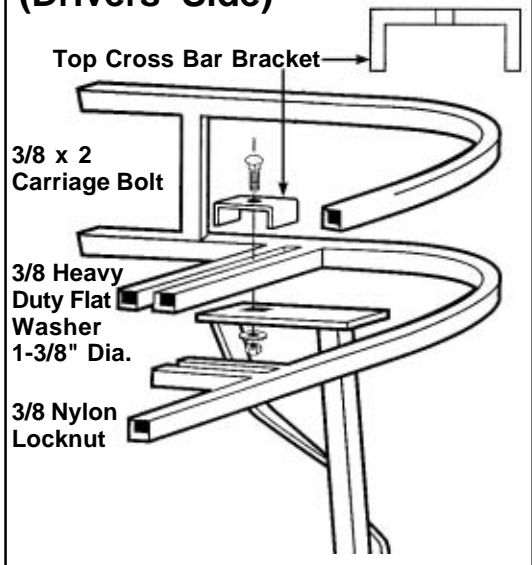
**Rear Support Bracket
 (Drivers Side)**



Use square holes on bracket above as a guide to mark and drill 3/8" holes.



**FIGURE 2
 Roof Rack and Rear
 Support Assembly
 (Drivers Side)**



CAUTION!

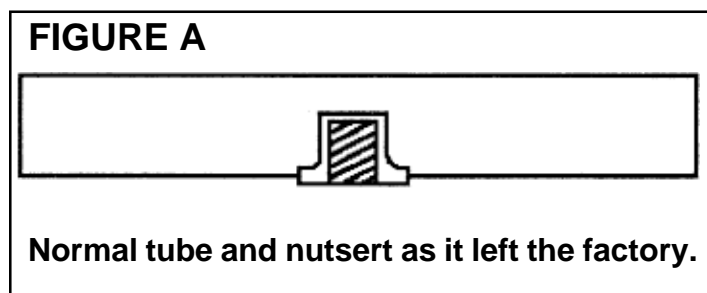
Installing floors onto the Roof Rack cross bars.

Do not use any electrical or air powered tools to tighten flooring bolts.

HAND TIGHTEN ONLY!

Use small 1/4" drive ratchet and 7/16" socket or 7/16" end wrench. Tighten bolt until the 1/4" lock washer is flat and tighten not exceeding a 1/4 turn more.

If you over tighten these bolts, the nutsert inside the floor tubing will bend out (see figure B). This is not a warranty problem.



For off-road applications, apply Loctit® to threads.

