

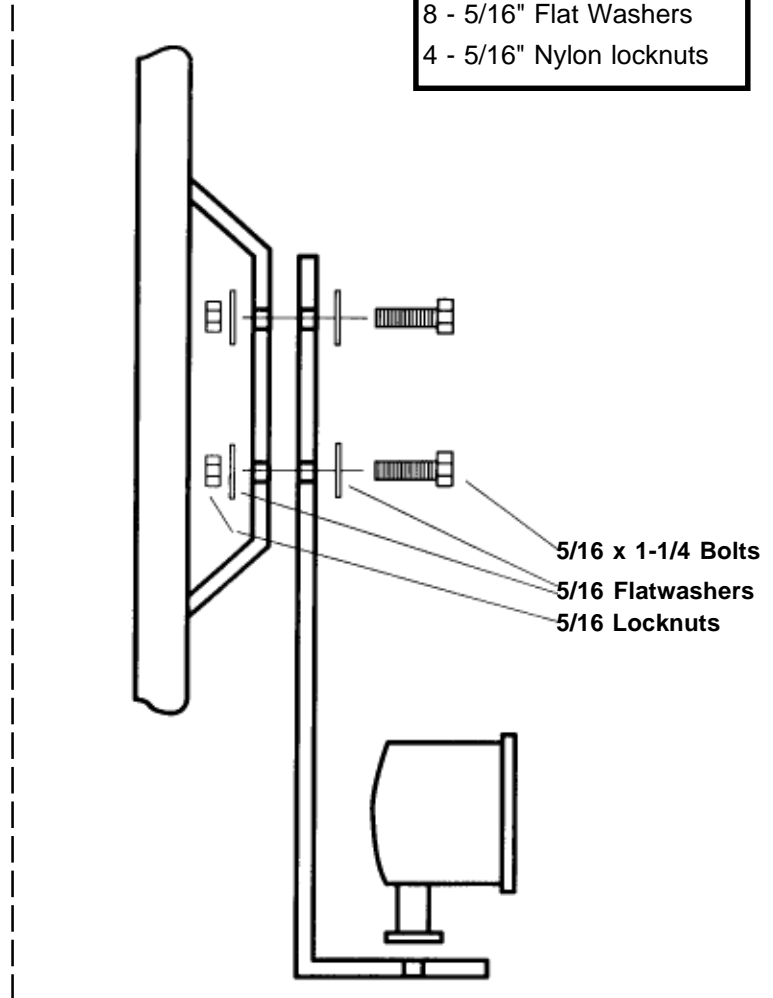
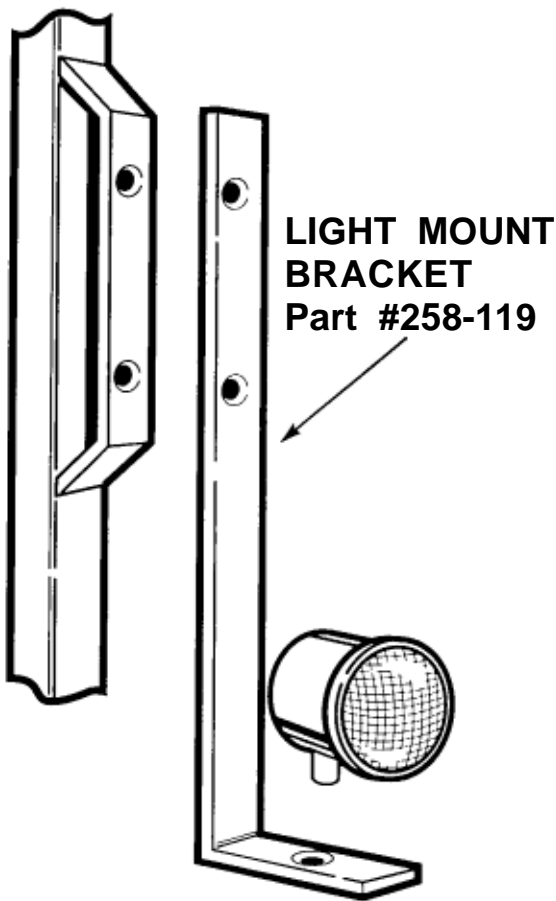


21600 NORDHOFF ST.  
CHATSWORTH, CALIFORNIA 91311 USA  
PH: (818) 882-1238 FAX: (818) 882-7144  
E-Mail: sor@sor.com  
Internet: http://www.sor.com

# #258-119 REAR LAMP BRACKET FITS #258-100

## GENERAL ASSEMBLY DRAWING

<b>HARDWARE LIST</b>	
2 -	Light Brackets
4 -	5/16" x 1-1/4" Bolts
8 -	5/16" Flat Washers
4 -	5/16" Nylon locknuts



Manufactured exclusively for Specter Off-Road By Garvin Industries