



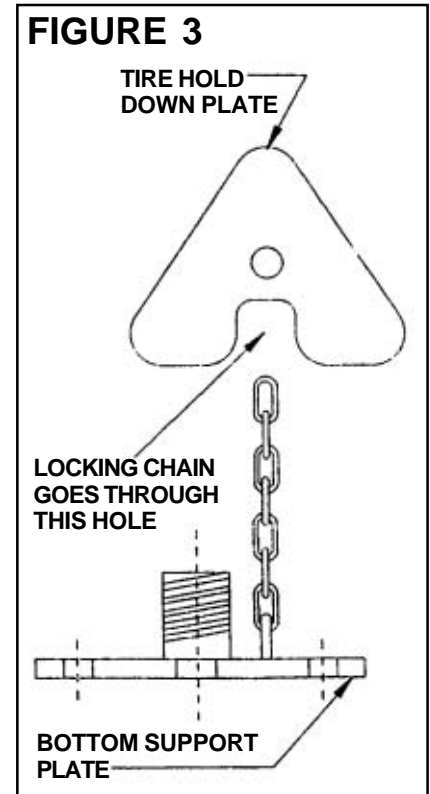
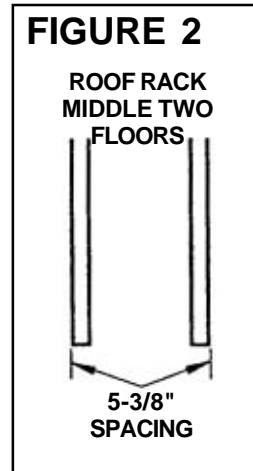
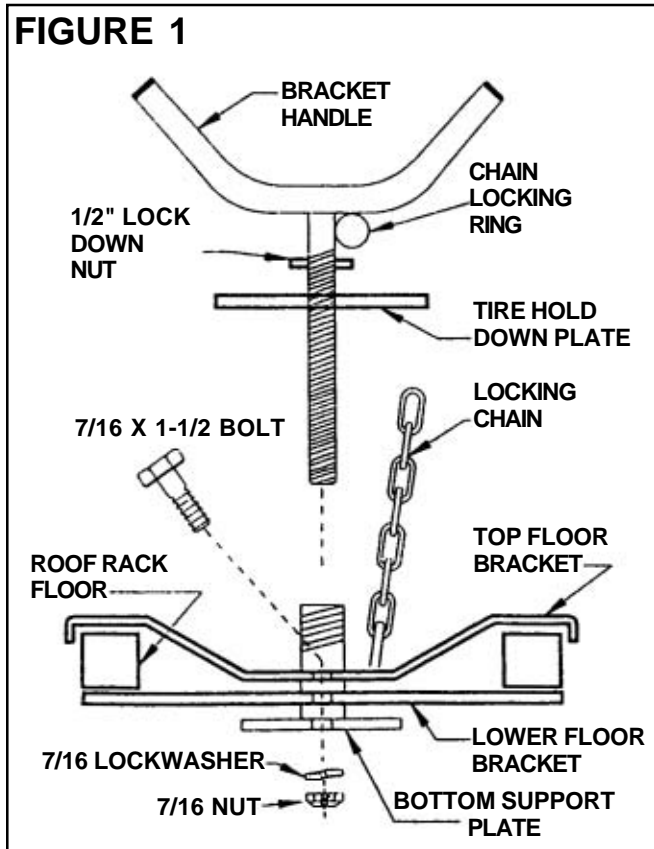
21600 NORDHOFF ST.  
CHATSWORTH, CALIFORNIA 91311 USA  
PH: (818) 882-1238 FAX: (818) 882-7144  
E-Mail: sor@sor.com  
Internet: http://www.sor.com

# #256-300 WILDERNESS RACK TIRE CARRIER INSTALLATION INSTRUCTIONS

## PARTS LIST

- |                              |                              |
|------------------------------|------------------------------|
| Qty 1 - Bracket Handle       | Qty 1 - Hold Down Plate      |
| Qty 1 - Bottom Support Plate | Qty 2 - Lower Floor Brackets |
| Qty 2 - Top Floor Brackets   | Qty 2 - 7/16 x 1-1/2 Bolts   |
| Qty 2 - 7/16 Lock washers    | Qty 2 - 7/16 Nuts            |
| Qty 1 - 1/2 Nut              |                              |

1. Space center two roof rack floors, 5-3/8" apart, as shown in figure 2.
2. Assemble lower portion of tire bracket to floors, as shown in figure 1. The lower bracket will slide along floors for tire diameter adjustment.
3. After proper spacing for tire diameter, tighten the 2-7/16 x 1 1/2 bolts, to secure brackets to floors.
4. Install 1/2" nut on tire handle as shown in figure 1.
5. Position tire and wheel over center of tall 1/2 nut, pull chain through hole in wheel, position hold plate on wheel.
6. Screw bracket handle into tall 1/2 nut about 2", let hold down plate rest on wheel, use 1/2" adjusting nut to tighten tire & wheel to roof rack.
7. Secure locking chain to locking ring on bracket handle as a theft deterrent.



Manufactured By Garvin Industries