



21600 NORDHOFF ST.
CHATSWORTH, CALIFORNIA 91311 USA
PH: (818) 882-1238 FAX: (818) 882-7144
E-Mail: sor@sor.com
Internet: http://www.sor.com

#256-70, #256-71, #256-72 WILDERNESS ROOF RACK FLOOR KIT INSTALLATION INSTRUCTIONS

PARTS LIST

Qty 8 - Floor Pieces #1150 (50-1/2")
Qty 16 - 1/4" x 1-1/2" Bolts
Qty 16 - 1/4" Lockwashers
Qty 16 - 1/4" Flatwashers
Qty 16 - 1/4" x 1-1/2" Flatwashers
Qty 16 - Black End Plugs

1. Install black plastic plugs in floor ends (figure 2).
2. Install floors to roof rack crossbars (figure 3).
3. Start all bolts in floors (figure 3), leave bolts loose, evenly space floors on roof rack, except the two middle sections as noted in figure 4.
4. Align and tighten all floor bolts. **CAUTION!! DO NOT OVER TIGHTEN AS SPECIAL NUT WILL TURN INSIDE FLOOR.**

FIGURE 1

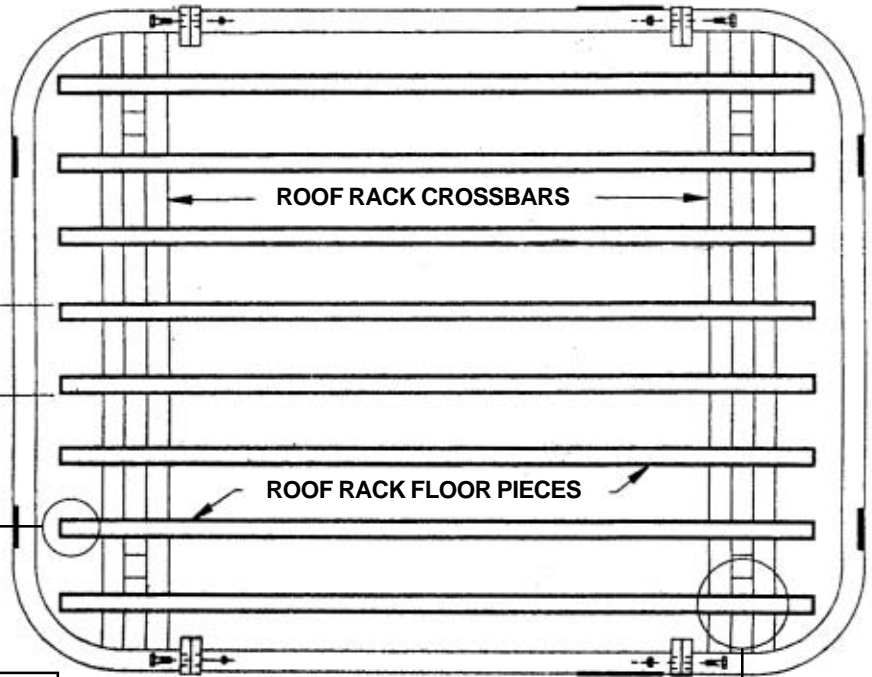


FIGURE 4

SPACE THE TWO MIDDLE FLOORS AS SHOWN WHEN SPARE TIRE RACK PART #29880 IS INSTALLED.

FIGURE 2

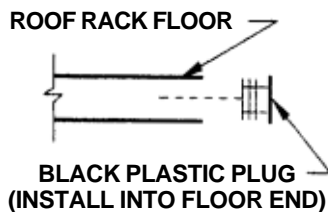
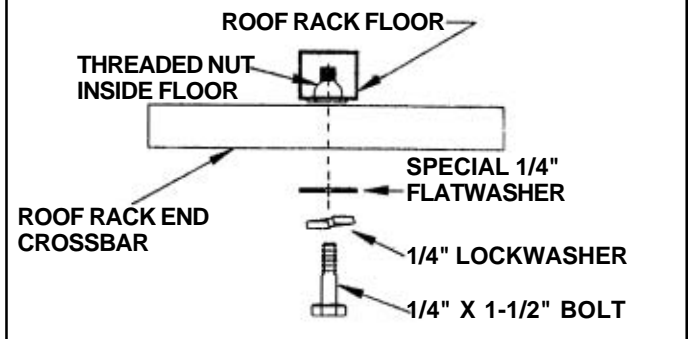


FIGURE 3



Manufactured By Garvin Industries