



21600 NORDHOFF ST.
CHATSWORTH, CALIFORNIA 91311 USA
PH: (818) 882-1238 FAX: (818) 882-7144
E-Mail: sor@sor.com
Internet: <http://www.sor.com>

#258-110 HI LIFT JACK MOUNT BRACKETS FITS 4" & 6" TALL ROOF RACK SIDES

PARTS LIST

Qty 1 - 6" Front Mounting Bracket
Qty 1 - 6" Rear Mounting Bracket
Qty 2 - 6" Backing Plates
Qty 2 - Spacers (4" High Sides)
Qty 2 - 1/2" x 1-3/4" Coupling Nut
Qty 4 - 1/2" x 2-1/4" Bolts
Qty 4 - 1/2" Lockwashers
Qty 2 - 1/2" x 1-1/4" Bolts
Qty 10 - 1/2" SAE Flatwashers
Qty 2 - 1/2" Nylon Locknuts

INSTALLATION INSTRUCTIONS

NOTE!!!!!!

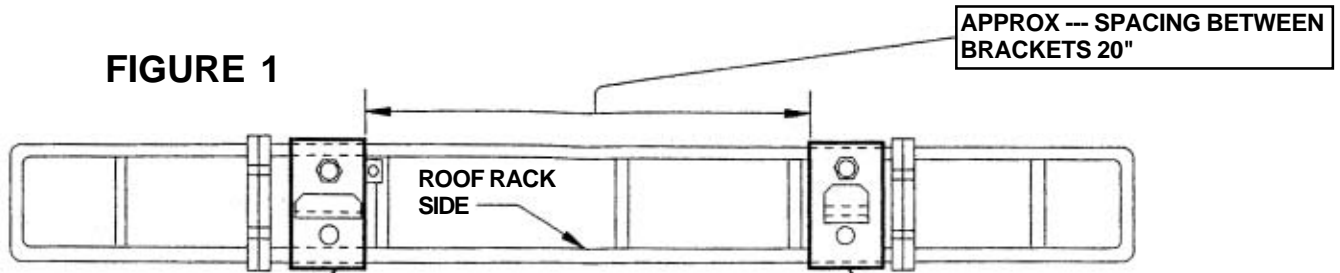
This high lift jack bracket will fit 4" high and 6" high Wilderness roof racks and 6" high A.M. General Hummer factory OEM roof racks. The jack can be mounted to the roof rack side outside (Figure 6) or inside (Figure 7) and also mounted to the roof rack flooring (Figure 8).

1. Install front bracket to side of rack (6" side) as shown in figures 1, 2 & 4. If mounting to a 4" high side rack refer to figures 1, 2 & 9, and use spacer. If mounting to flooring refer to figures 1, 2, 4 & 8.
2. Slightly tighten to hold in place.
3. Install rear bracket as shown in figures 1, 3, 5 & 10. Use approximate spacing shown in figure 1. Leave loose for adjustment.
4. Position jack on front & rear brackets. Adjust top bolt on front bracket so the coupling nut fits inside the jack as shown in figures 4 & 9. NOTE!!! The top bolt on both front and rear brackets are adjustable. Tighten front mounting bolts.
5. With the proper spacing between brackets, adjust the rear mount top mounting nut so that it is in the center of the oval hole in the jack, as shown in figures 1, 3, 5 & 10. Tighten rear mounting bracket.
6. Once the brackets have been installed and adjusted to fit your high lift jack, the jack can be removed & reinstalled using just the (2)-1/2" x 1-1/4" bolts, as shown.

Manufactured exclusively for Specter Off-Road By Garvin Industries

HIGH LIFT JACK MOUNTING BRACKET

FIGURE 1



APPROX --- SPACING BETWEEN BRACKETS 20"

FIGURE 2

FRONT JACK MOUNTING NUT
 1/2 X 1-3/4 COUPLING NUT

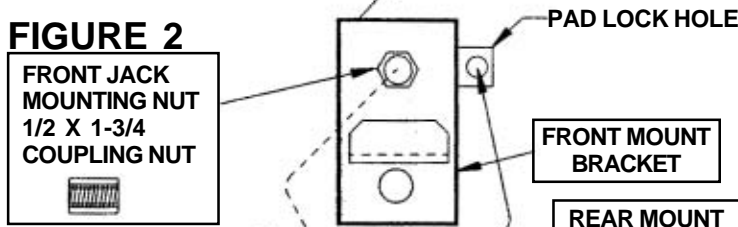


FIGURE 3

REAR JACK MOUNTING NUT
 1/2 X 1-3/4 COUPLING NUT

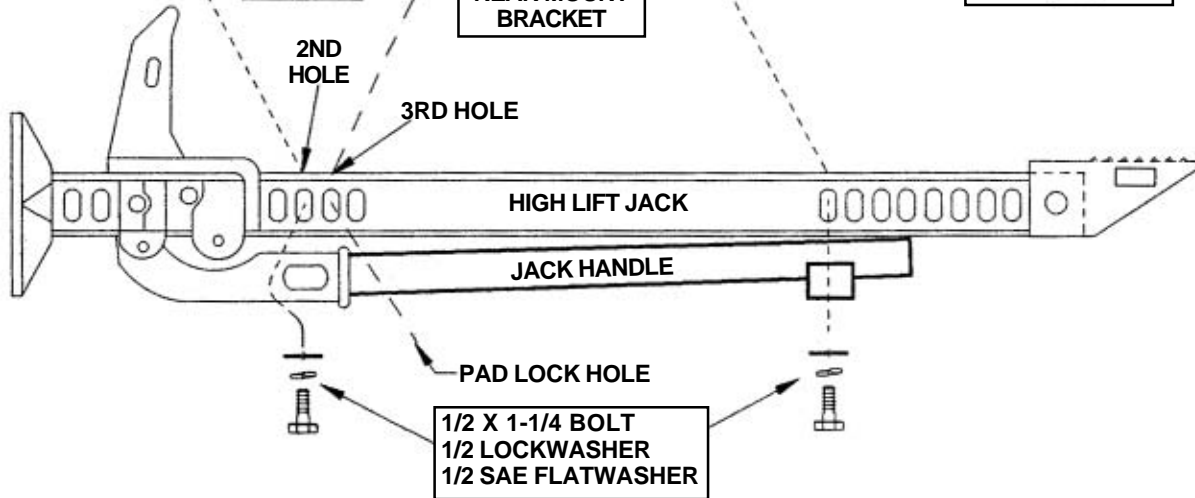
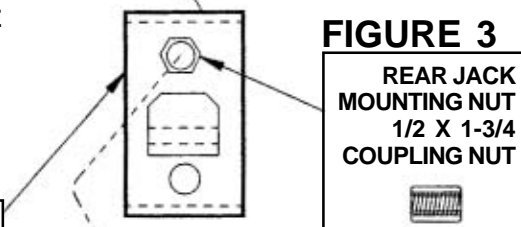


FIGURE 4 - Front Mount Bracket

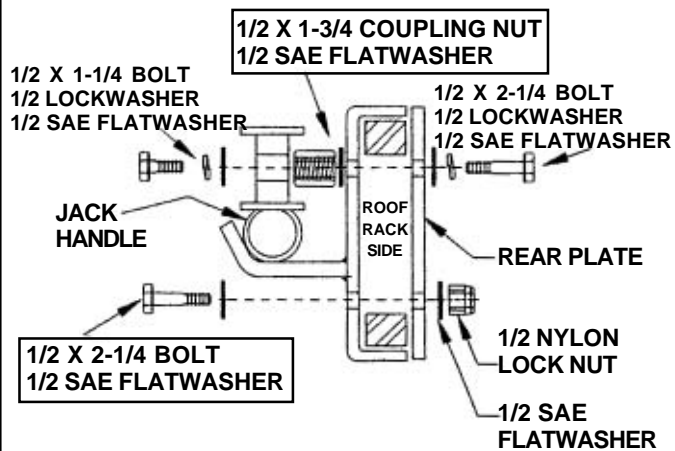
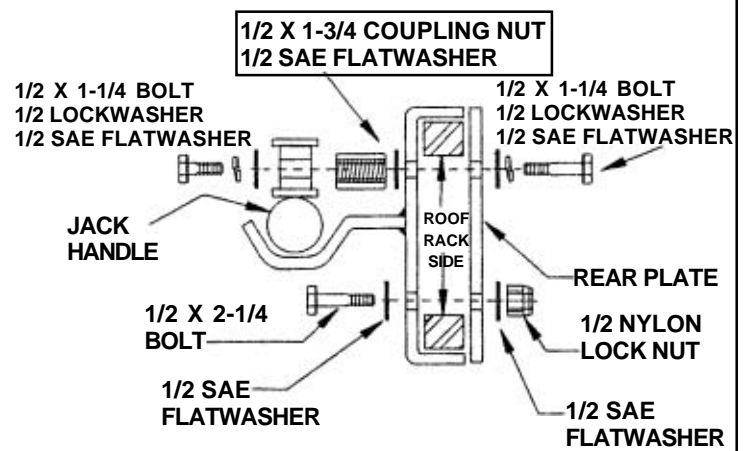


FIGURE 5 - Rear Mount Bracket



HIGH LIFT JACK MOUNTING BRACKET

FIGURE 6

JACK MOUNTING POSITION
(OUTSIDE ON ROOF RACK SIDE)

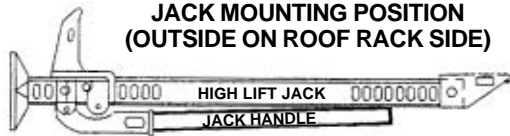


FIGURE 7

JACK MOUNTING POSITION
(INSIDE ON ROOF RACK SIDE)

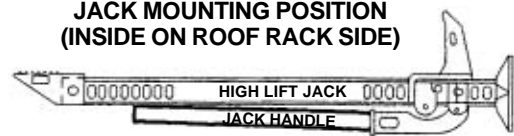


FIGURE 8

JACK MOUNTING POSITION
(FLOOR MOUNTING)

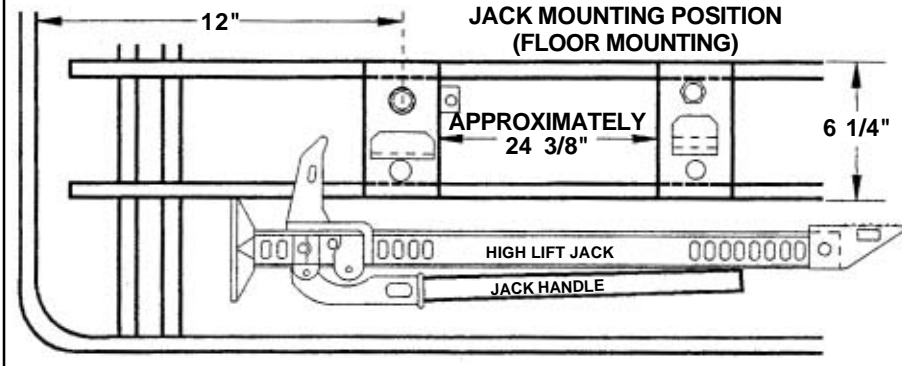


FIGURE 9

Front Mount With 4" Side Spacer

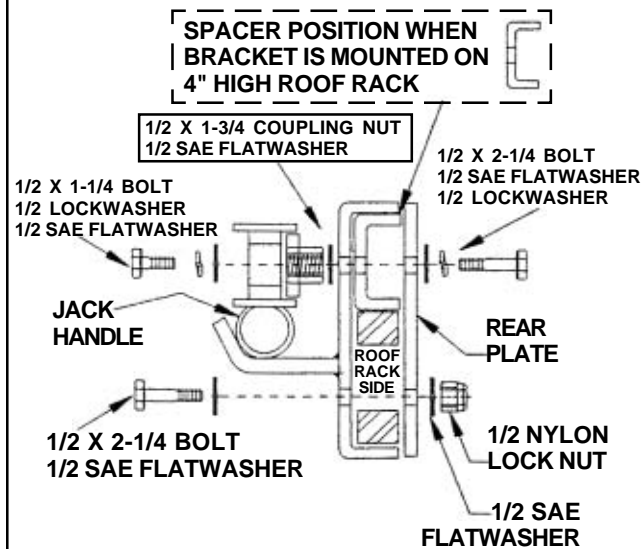


FIGURE 10

Rear Mount With 4" Side Spacer

