



21600 NORDHOFF ST.  
 CHATSWORTH, CALIFORNIA 91311 USA  
 PH: (818) 882-1238 FAX: (818) 882-7144  
 E-Mail: sor@sor.com  
 Internet: http://www.sor.com

## #272-44 TIGER CHANNEL/WINDSHIELD RETAINER INSTALLATION INSTRUCTIONS

**NOTE:** Please read this manual thoroughly before beginning the installation. After completing installation, keep this manual for future reference.

Tools You Will Need

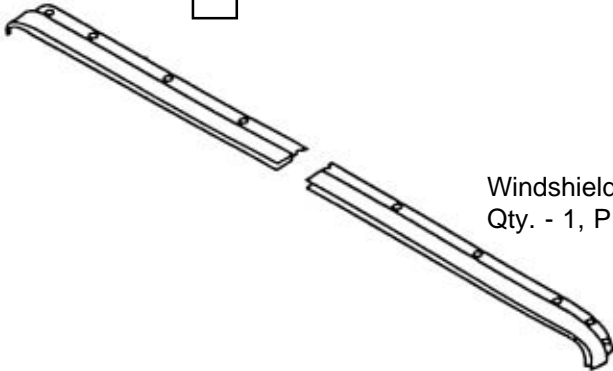
- [ ] A pencil
- [ ] A phillips head screwdriver
- [ ] A hammer
- [ ] A center punch
- [ ] A 1/8" drill bit and a power drill

**CAUTION:** A loose windshield retainer may allow the top to disengage from the windshield, causing damage to the top and possible injury to the occupants of the vehicle. Make certain that the windshield retainer is securely fastened to the windshield at the time of first installation. Check the tightness of the mounting screws every three months. (Do not over-tighten.)

### Parts List and Hardware Identification

Windshield Retainer - Right  
 Qty. - 1, PN 225.42

Check off each item



Windshield Retainer - Left  
 Qty. - 1, PN 225.43



#8 x 1/2" Pan Head  
 Washer Screw - Black   
 Qty. - 13, PN 200.48

**Because of Generic Packaging,  
 extra parts may be included.**

**LIMITED WARRANTY**

Bestop, Inc. warrants this product to be free from defects in material, for the terms specified below, provided there has been normal use and proper maintenance. This warranty applies to the original purchaser only. All remedies under this warranty are limited to the repair or replacement of any item or items found by the factory to be defective within the time period specified:

If you have a warranty claim, first you must call the factory at the number below for instructions. You must retain proof of purchase and submit a copy with any items returned for warranty work. Upon completion of warranty work, if any, Bestop will return the repaired or replaced item or items to you freight prepaid. Damage to our products caused by accidents, fire, vandalism, negligence, misuse, Acts of God, or by defective parts not manufactured by us, is not covered under this warranty.

THE TERMS OF BESTOP'S WARRANTY ARE AS FOLLOWS: ALL "SOFT GOODS" MANUFACTURED BY BESTOP, INC. (USING PRIMARILY VINYL, PLASTICS, AND/OR FOAM): 90 DAYS FROM DATE OF PURCHASE.

ANY IMPLIED WARRANTIES OF MERCHANTABILITY AND/OR FITNESS FOR A PARTICULAR PURPOSE CREATED HEREBY ARE LIMITED IN DURATION TO THE SAME DURATION AS THE EXPRESS WRITTEN WARRANTY. OUR COMPANY SHALL NOT BE LIABLE FOR ANY INCIDENTAL OR CONSEQUENTIAL DAMAGE, INCLUDING, WITHOUT LIMITATION, DAMAGES RESULTING FROM THE USE OF THE PRODUCT ON REPAINTED SURFACES (NON-FACTORY ORIGINAL PAINT) AND FADING AND PAINT COLORATION DIFFERENCES RESULTING FROM THE PRODUCT'S SHIELDING PORTIONS OF SURFACES FROM EXPOSURE TO THE SUN AND ELEMENTS WHILE OTHER ADJACENT SURFACES REMAIN COMPLETELY EXPOSED.

Some states do not allow limitations on how long an implied warranty lasts, or the exclusion or limitation of incidental or consequential damages, so the above limitations or exclusions may not apply to you. This warranty gives you specific legal rights, and you may also have other rights which vary from state to state.

For further information or request for warranty work, please call: Bestop Inc.  
 Consumer Response  
 (303) 465-1755  
 Page 1 of 2

**Windshield Retainer**

**Step One:** Center the Windshield Retainers on top of the windshield frame and butt the retainers up against the top lip of the windshield frame. Use the retainers as a template to mark, center punch and drill eleven 1/8 inch holes (Note: drill one 1/8 inch hole between the two halves of the retainer). Use eleven #8 x 1/2" Pan Head Washer Screws (see Figure 1).

**PLEASE NOTE:** The FJ40 Land Cruiser does not use the last hole at the outside tip of each channel in the area where it bends down. The channel is 1 inch wider on both sides than the windshield frame. This allows the top material to extend past the top of the full doors.

**FIGURE 1**

